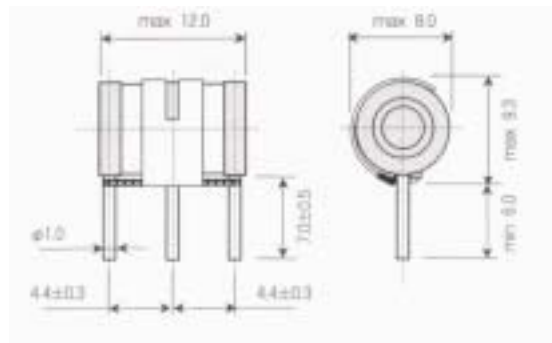


## 3P Arrester, 230 Voltage, with External Failsafe

---

### Construction and Dimensions



Part Number: 5828 3 230-01

Description: 3P arrester, 230 Voltage, with external failsafe

Electrodes: Nickel Plated

Leads: Tin Plated

Unit Weight: 2.8g

### Electrical Characteristics

Item	Condition	Standard
DC Spark-over Voltage	100V/s	230V±20%
Impulse Spark-over Voltage	100V/μs	≤500V
	1kV/μs	≤650V
Insulation Resistance	100V DC	≥10,000MΩ
Capacitance	1MHz	≤3.0pF
DC Holdover Voltage	80V, 330Ω	≤150ms
Impulse Life	10/1000μs, 400A	300 times
Impulse Discharge Current, 8/20 μs	Single	20kA
	Repeat 10 times (5 times each polarity)	10kA
AC Discharge Current, 50Hz	Single (9 Cycles)	130A
	Repeat 10 times (1 second)	10A